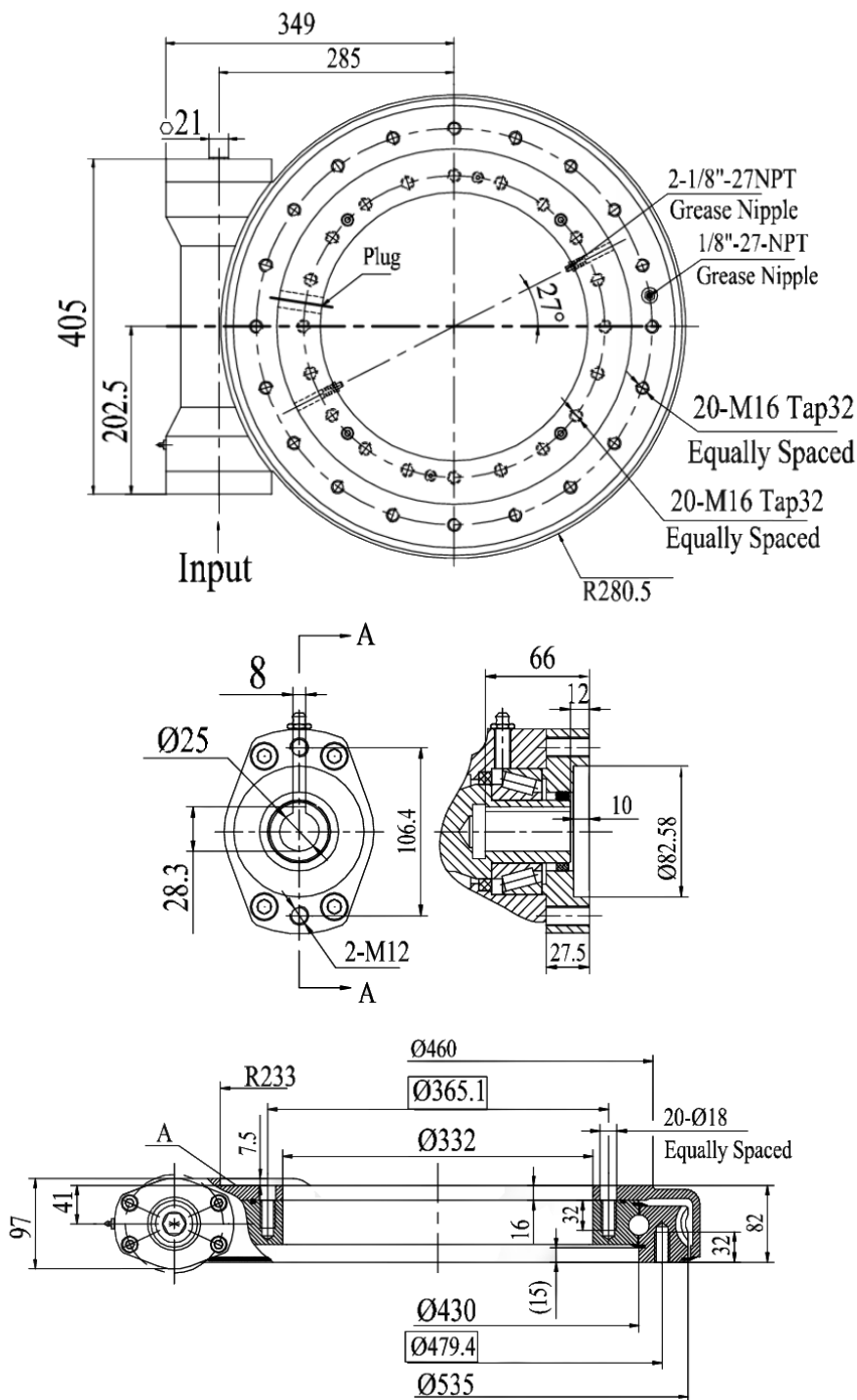
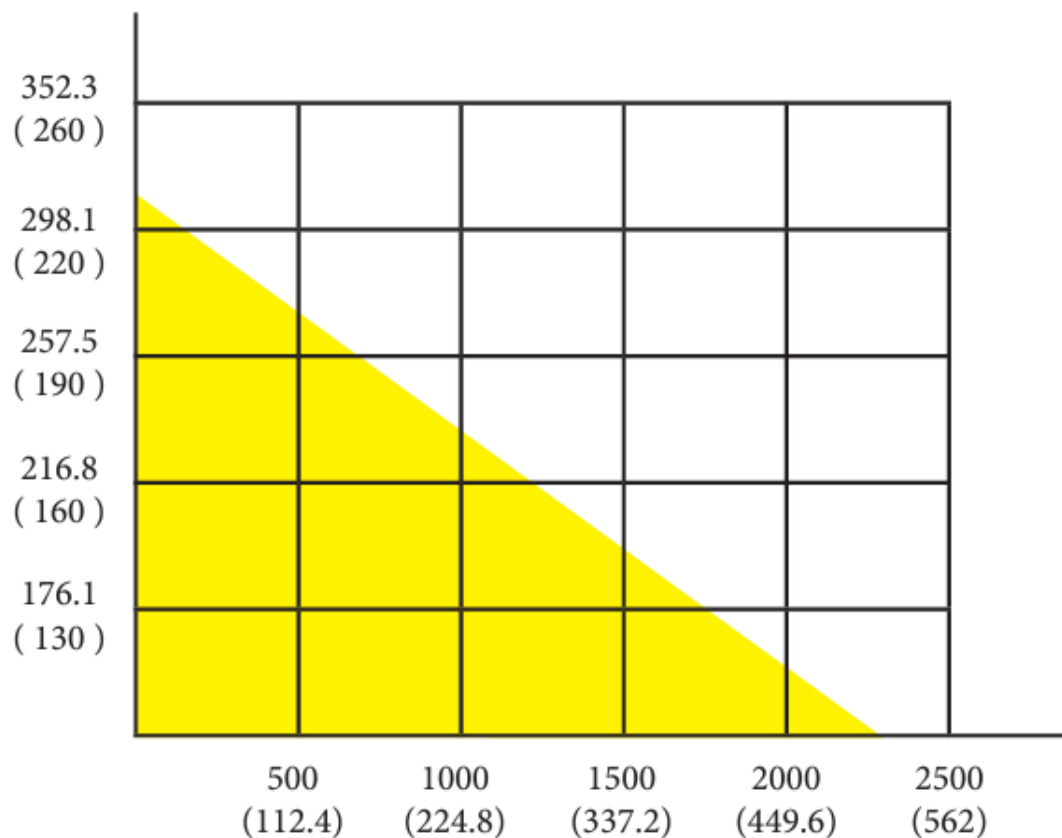


DATASHEET - DIMENSIONS

WE25-104-BH-R



kN.m (x 10³ ft.lbf)
Tilting Moment



kN (x10³ lbf)
Static Axial Load

Weight:	199 kg
Axial load:	static - 2390 kN, dynamic - 590 kN
Radial load:	static - 945 kN, dynamic - 470 kN
Tilting torque:	310 kNm
Holding torque:	158,3 kNm
Transmission Ratio:	104:1
Output torque:	34,2 kNm